

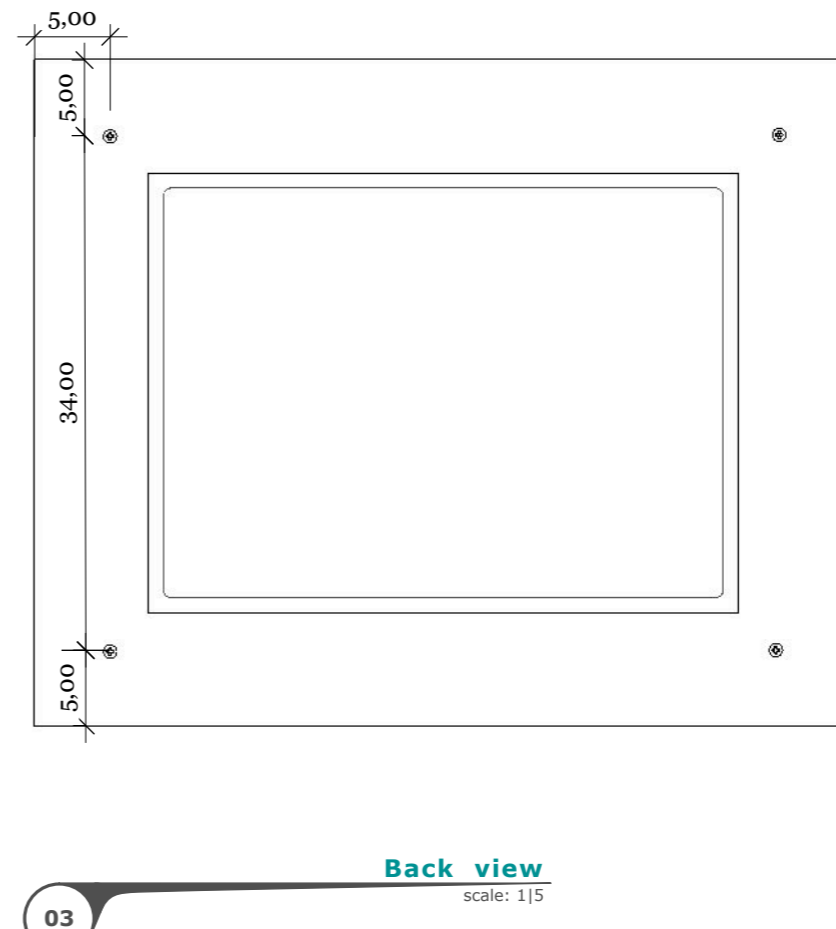
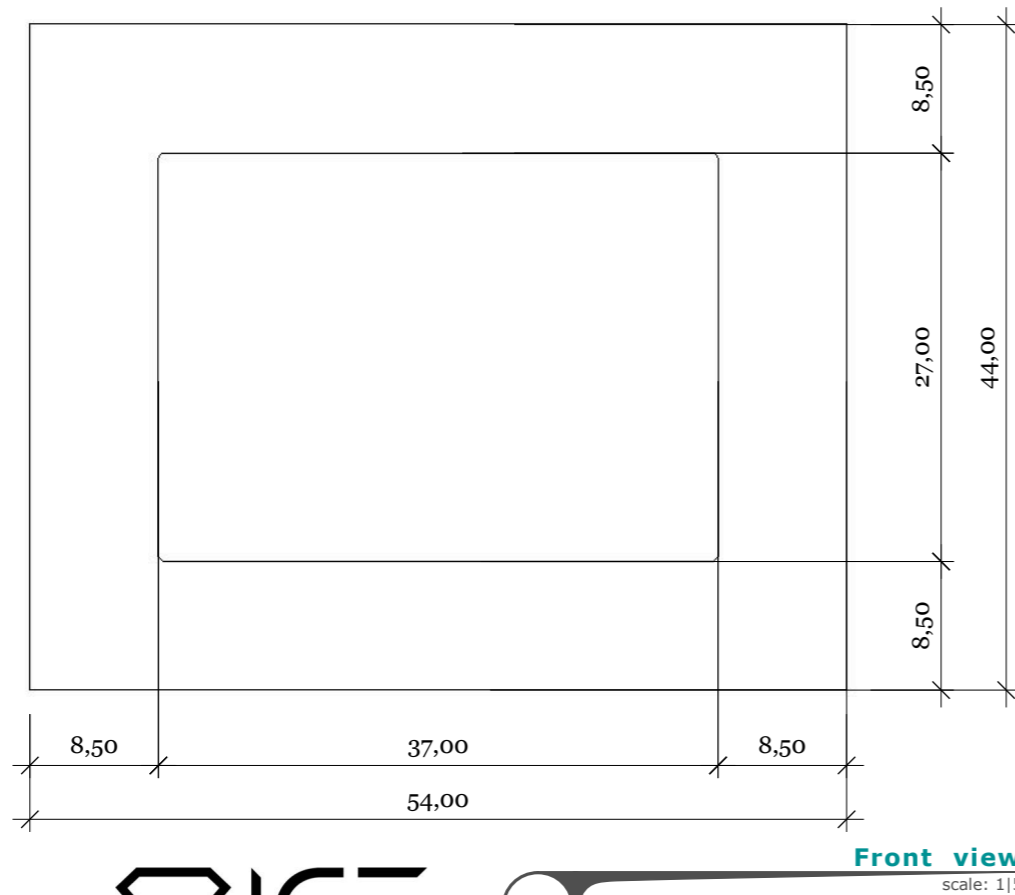
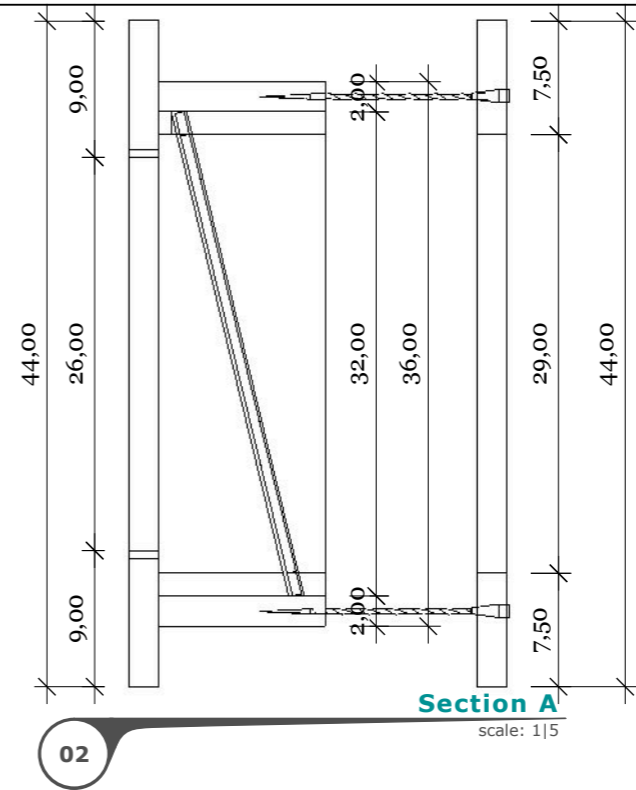
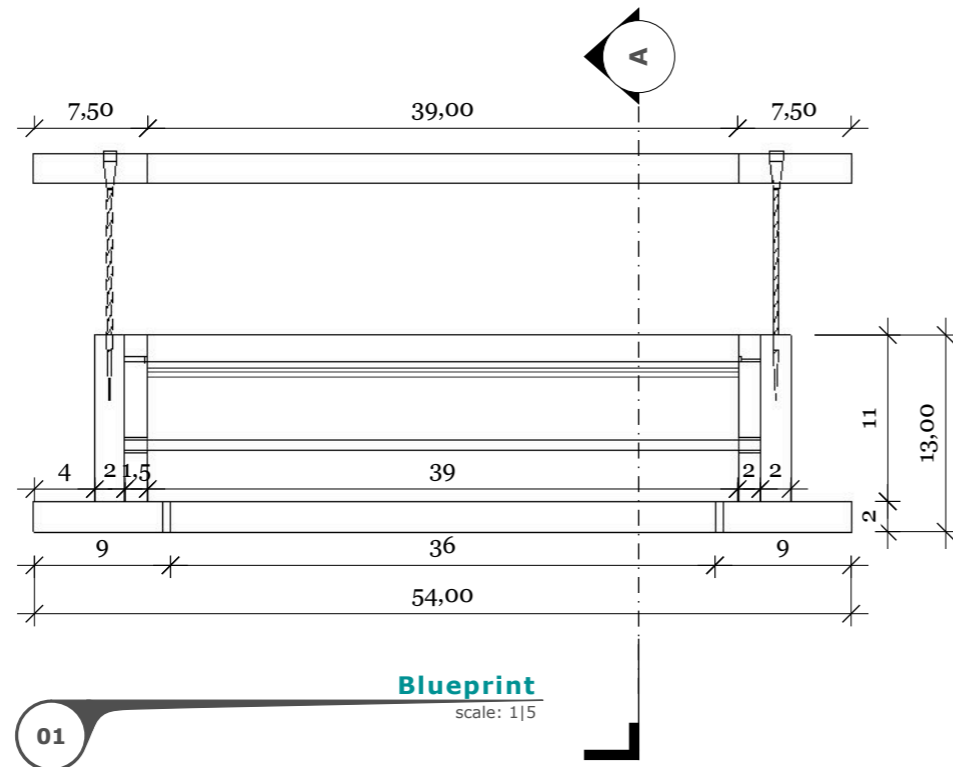


IMMERSIVE CAPTIVATING EXPERIENCES

CINEMA · CONCERTS · SPORTS · GAMING



www.genesis-tech.eu



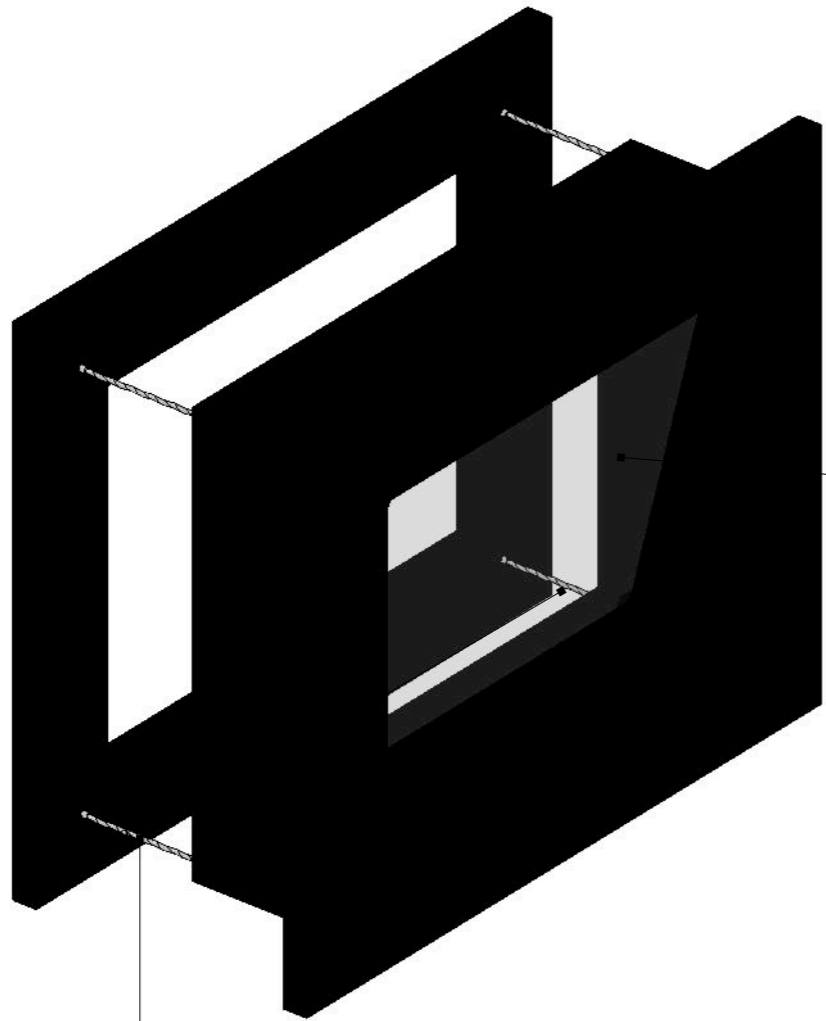
Genesis Home Technology Architects
 Pol Ind San Pedro Alcántara - Calle Luxemburgo, 22 ,29670 San Pedro Alcántara
 Málaga - Spain - VAT: ESB93268852
 T. +34 603 742 582
www.genesis-tech.eu

REFERENCE:
GT-PortHole

CREATED BY:
Genesis HTA
SCALE:
1|5

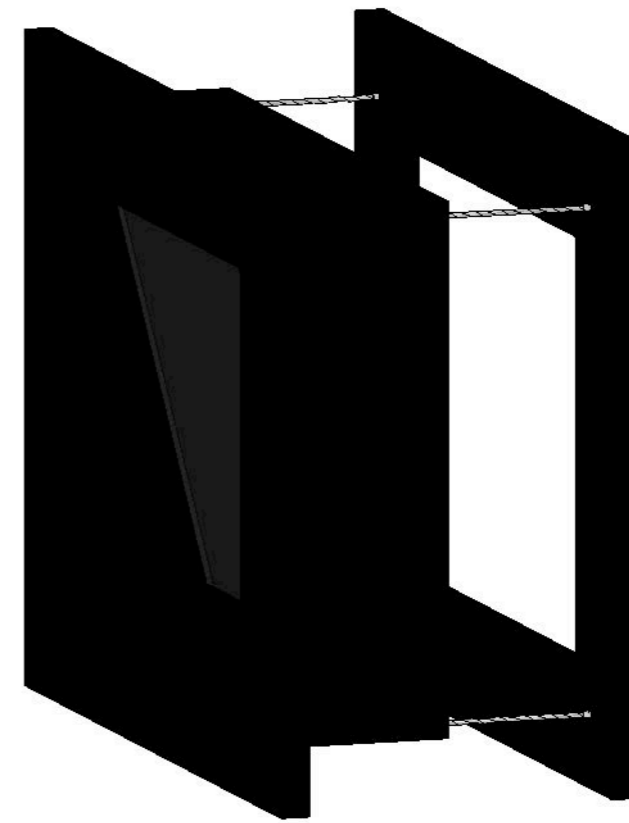
BLUEPRINT:

REVISIONS	
MM/DD/YY	REMARKS
1 June 21, 2022	...
2	...
3	...
4	...
5	...



Glass 6mm- Amiran Schott
High transparency, anti- reflective

Screw Ø4mm
Length depend on wall depth



Depends of wall depth



Genesis Home Technology Architects
Pol Ind San Pedro Alcántara - Calle Luxemburgo, 22 ,29670 San
Pedro Alcántara
Málaga - Spain - VAT: ESB93268852
T. +34 603 742 582
www.genesis-tech.eu

REFERENCE:
GT-PortHole

CREATED BY:
Genesis HTA

SCALE:
1/5

BLUEPRINT:

REVISIONS	
MM/DD/YY	REMARKS
1 June 21, 2022	...
2	...
3	...
4	...
5	...